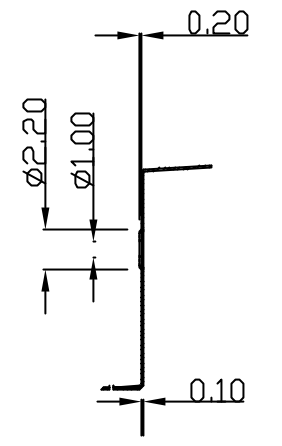
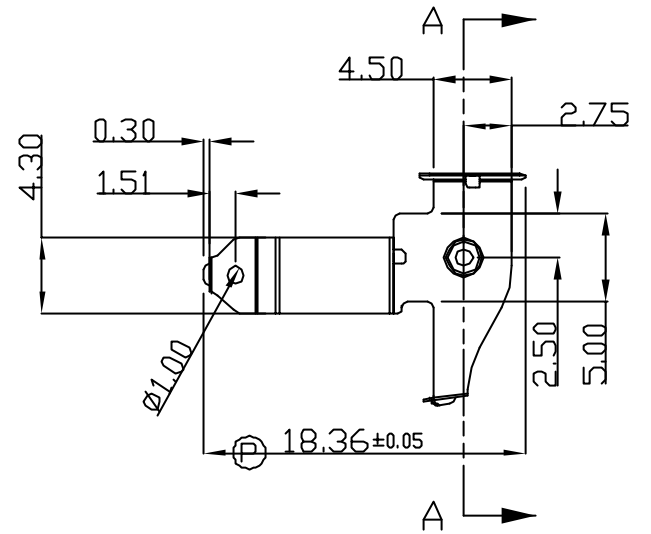


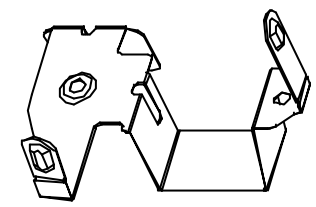
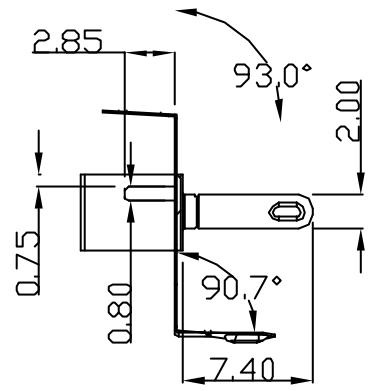
更改 REV	設變內容 MODIFICATION	日期 DATE	修改 DRAW



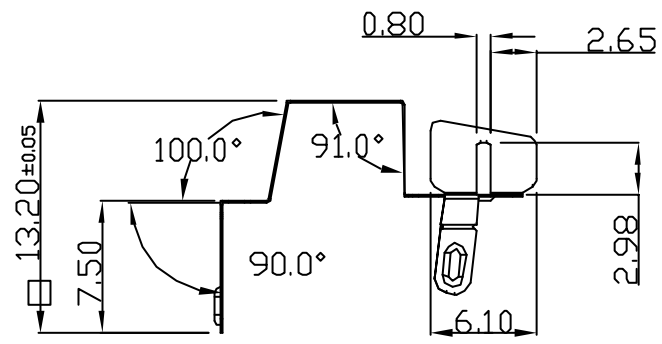
SECTION A-A



SCALE 2.000



SCALE 2.000



- NOTES:
- MATERIAL: SUS301 0.1t
TEXTURE:
BRIGHTNESS:
 - FLASH TO BE CLEAR FOR P.L. SURFACE
 - UNSPECIFIED DIMENSION TOLERANCE SEE TOLERANCE TABLE
 - UNSPECIFIED RADIUS TO BE R=0.3mm
 - UNSPECIFIED DRAFT ANGLE : 0 °30'
 - CONCENTRIC CENTER TOLERANCE ±0.1mm
 - ALL EXTERNAL SURFACE TO BE FREE OF VOIDS.SINK MARKS.KNIT LINS.FLASH.SCRATCHES AND NICKS
 - ⊕--PROCESS CONTROL
□--CRITICAL CONTROL
 - MAX DEFORMATION: ⊕0.1MM

DIMENSION IN mm [Inch]		 康茂股份有限公司 COMMA ELECTRONIC INC.	
TOLERANCE UNLESS OTHERWISE SPECIFIED		名稱 TITLE FOIL F76K-SUS301-18.06*12.8*0.1mm	CUSTOMER DRAWING
0-5±0.05	6-20±0.075	案號 FILE No. F76K	圖號 DWG No. 3065F76K02W
21-50±0.10	51-110±0.15	圖紙 SIZE A4	角法 PROJ 日期 DATE 08/03/04
>110±0.20	XX±0.25*	製圖 DRAW	比例 SCALE 2:1 更改 REV A