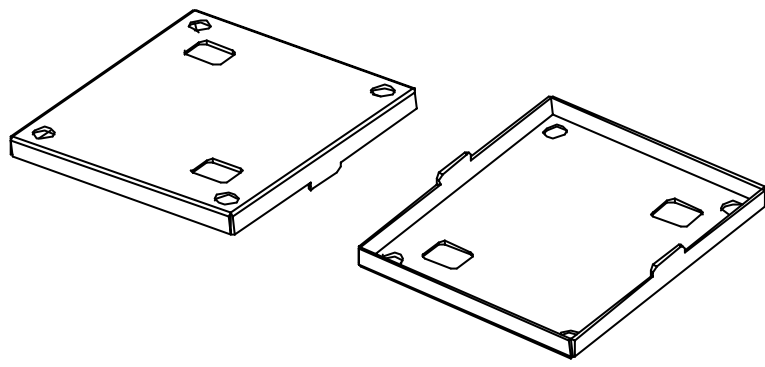
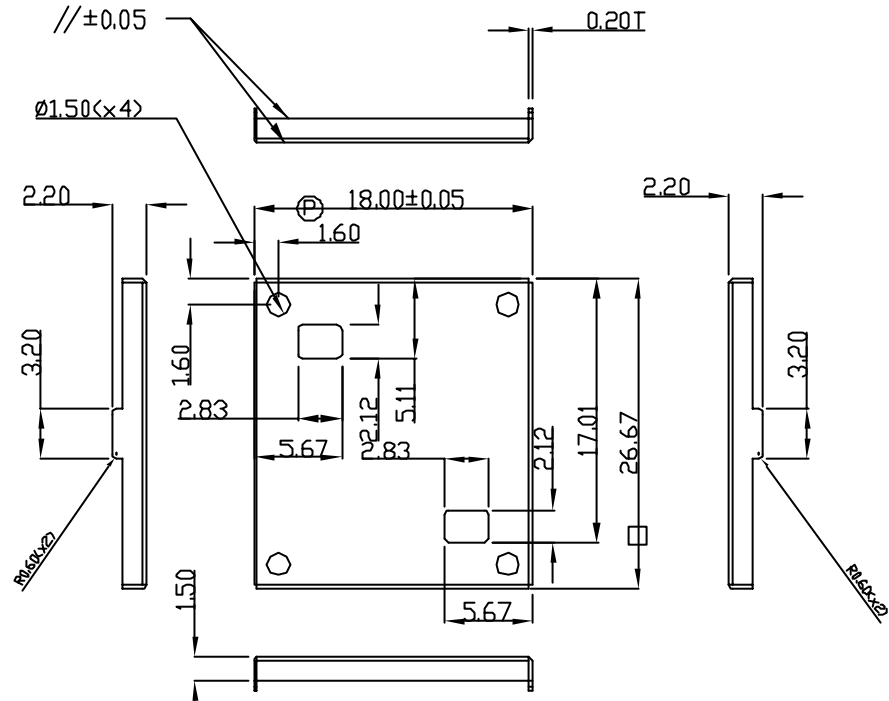


1 2 3 4 5 6 7 8

更改 REV	設變內容 MODIFICATION	日期 DATE	修改 DRAW



NOTE:
 1.MATERIAL:C7521
 TEXTURE:
 BRIGHTNESS:4~6°
 2.FLASH TO BE CLEAR FOR P.L. SURFACE
 3.UNSPECIFIED DIMENSION TOLERANCE SEE
 TOLERANCE TABLE
 4.UNSPECIFIED RADIUS TO BE R=0.3mm
 5.UNSPECIFIED DRAFT ANGLE 0°30'
 6.CONCENTRIC CENTER TOLERANCE±0.1mm
 7.ALL EXTERNAL SURFACE TO BE FREE OF
 VOIDS.SINK MARKS.KNIT LINS.FLASH.
 SCRATCHES AND NICKS
 8. ⊕--PROCESS CONTROL
 □--CRITICAL CONTROL

DIMENSION IN mm [Inch]			 康茂股份有限公司 COMMA ELECTRONIC INC.	
TOLERANCE UNLESS OTHERWISE SPECIFIED			名稱 TITLE F36B Shield Cover	CUSTOMER DRAWING
.X±0.3	X'± 1'	審核 APPROVE	案號 FILE NO. SC-0923	圖號 DWG No. SC-0923
.XX±0.20	.X'± 0.5'	核對 CHECK	圖紙 SIZE A4	角法 PROJ.
.XXX±0.100	.XX'± 0.25'	製圖 DRAW	日期 DATE 9/23/04	比例 SCALE 1:1
			更改 REV A	

F
E
D
C
B
A

F
E
D
C
B
A

1 2 3 4 5 6 7 8