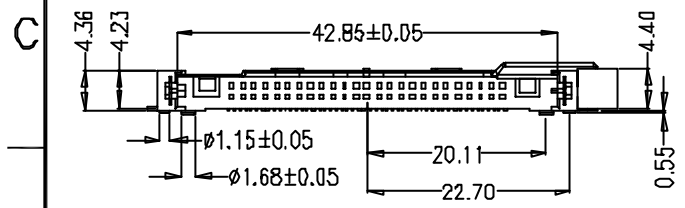
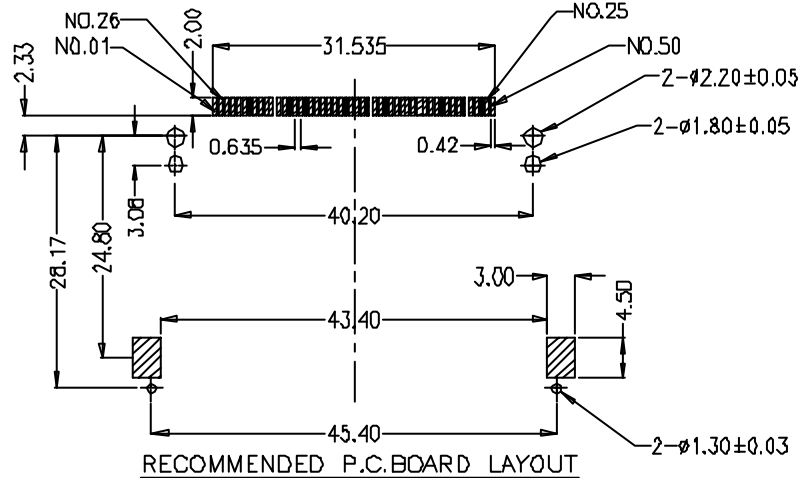
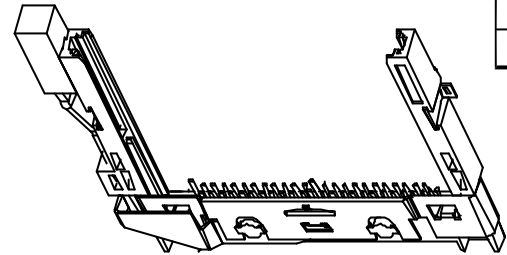
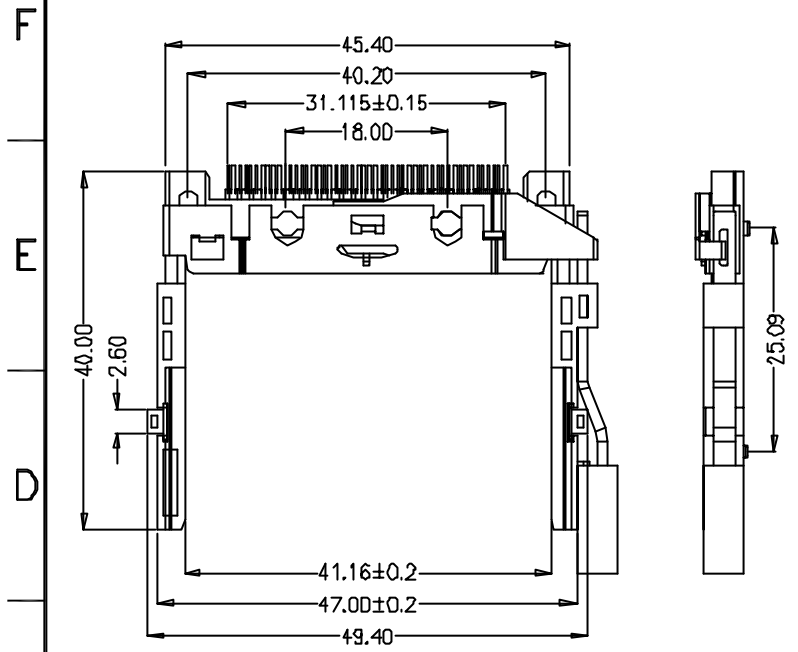


1 2 3 4 5 6 7 8

更改 REV	設變內容 MODIFICATION	日期 DATE	修改 DRAW



PIN TYPE	INTERFACE DIM.	PIN NO.
DETECT	3.5MM(0.138IN.)	25,26
GENERAL	4.25MM(0.167IN.)	ALL OTHER PIN
POWER	5.0MM(0.197IN.)	1,13,38,50

MATERIALS:
 Insulator: LCP,30% Glassfiber Filled UL 94V-0 .
 Contact: Phosphor Bronze.
 Holddowns: Phosphor Bronze
 Push Rod: Steel
FINISH:
 Holddowns: 100u"(min) Tin plating in the mounting area,
 with 50u"(min) Nickel underplate

DIMENSION IN mm [Inch]			康茂股份有限公司 COMMA ELECTRONIC INC.	
TOLERANCE UNLESS OTHERWISE SPECIFIED			名稱 TITLE	CUSTOMER DRAWING
.X±0.3	X'± 1'	審核 APPROVE	Compact Flash Connector Type II	
.XX±0.20	.X'± 0.5'	核對 CHECK	案號 FILE NO.	圖號 DWG No.
.XXX±0.100	.XX'± 0.25'	製圖 DRAW	CFS1.27-2150	CFS1.27-2150
圖紙 SIZE		角法 PROJ.		張數 SHEET
A4		1 / 1		更改 REV
		SCALE		A
		1:1		

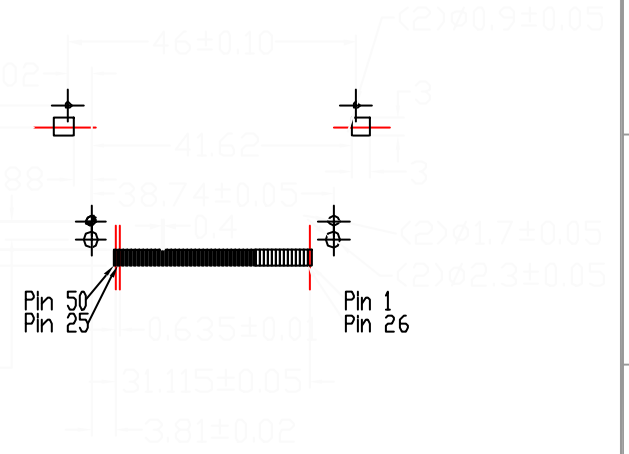
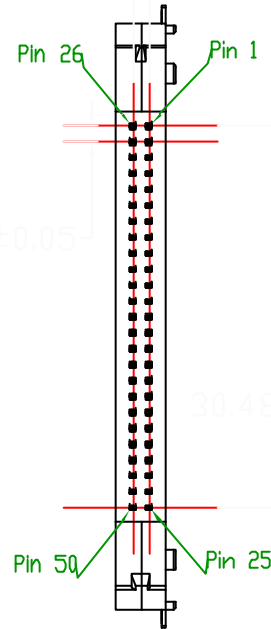
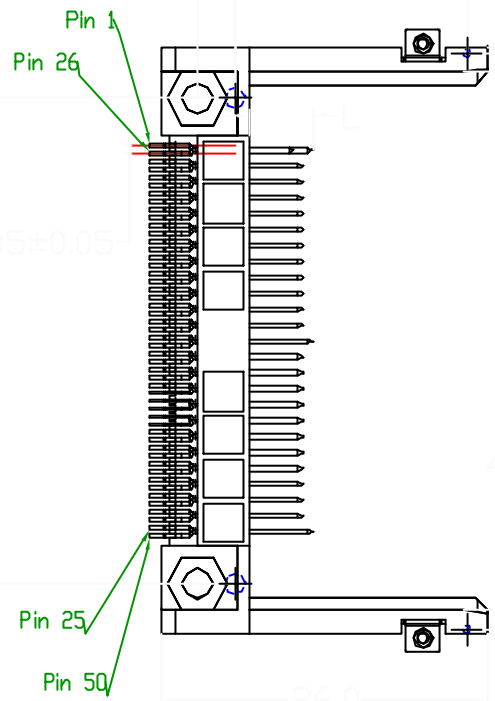
1 2 3 4 5 6 7 8

1 2 3 4 5 6 7 8

更改 REV	設 變 內 容 MODIFICATION	日 期 DATE	修 改 DRAW

F
E
D
C
B
A

F
E
D
C
B
A



RECOMMENDED PCB LAYOUT (1:1)

Pin Number	Dim L
1, 13, 38, 50 (Power)	5.0
25, 26 (Detect)	4.25
All other pin (General)	3.5

DIMENSION IN mm [inch]			康茂股份有限公司 COMMA ELECTRONIC INC	
TOLERANCE UNLESS OTHERWISE SPECIFIED			名稱 TITLE	CUSTOMER DRAWING
.X±0.3	X.*±1"	審核 APPROVE	案號 FILE NO.	圖號 DWG NO.
.XX±0.20	.X*±0.5"	核對 CHECK	CFS1.27-1150	CFS1.27-1150
.XXX±0.100	.XX*±0.25"	製圖 DRAW	圖紙 SIZE	角法 PROJ.
			A4	張數 SHEET 1 / 1
				比例 SCALE 1:1
				更改 REV A

1 2 3 4 5 6 7 8