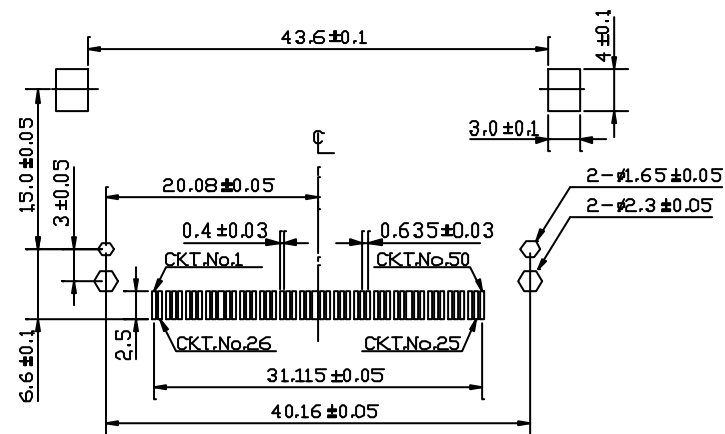
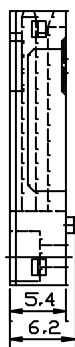


ORDER INFORMATION:

CFS1.27-	X	X	X	X			
Header Type:							
0:Type IA	9:Type IAR	Stand Off:	0:0mm	Contact Plating:	1:Gold Flush	Attachment:	0:White W/O Nut
1:Type IAR	A:Type IIB,BO	1:1.64mm	2:2.20mm	2:5u" Gold Sel.	3:10u" Gold Sel.	1:White W/ Nuts	
2:Type IB	B:Type IIBR	3:1.70mm	4:15u" Gold Sel.				
3:Type IBR	C:Type IE						
4:Type IC	D:Type IF						
5:Type ICR	E:Type IGO						
6:Type ID	F:Type IGOR						
7:Type IDR	G:Type IIBDRS						
8:Type IIA							

更改 REV	設變內容 MODIFICATION	日期 DATE	修改 DRAW



RECOMMENDED P.C.B. LAYOUT

NOTES:
 1.MATERIAL:
 INSULATOR:GLASS REINFORCED LCP UL94V-0
 CONTACT:BRASS ALLOY
 MOUNT EAR:BRASS; TIN PLATED OVERALL
 2.CONTACT PLATING:
 CONTACT AREA:GOLD PLATING OVER 40u" NICKEL
 SOLDER TAIL AREA:100u" TIN PLATING OVER 40u" NICKEL

DIMENSION IN mm [Inch]			
TOLERANCE UNLESS OTHERWISE SPECIFIED		名稱 CF Card Header	CUSTOMER DRAWING
.X±0.3	X.'± 3"	案號 FILE NO. 60146320	圖號 DWG NO. CFS1.27-F320
.XX±0.20	.X'± 0.5"	圖紙 SIZE A4	角法 PROJ. N.S.T.
.XXX±0.100	.XX'± 0.25"	日期 DATE 05/08/03	更改 REV A