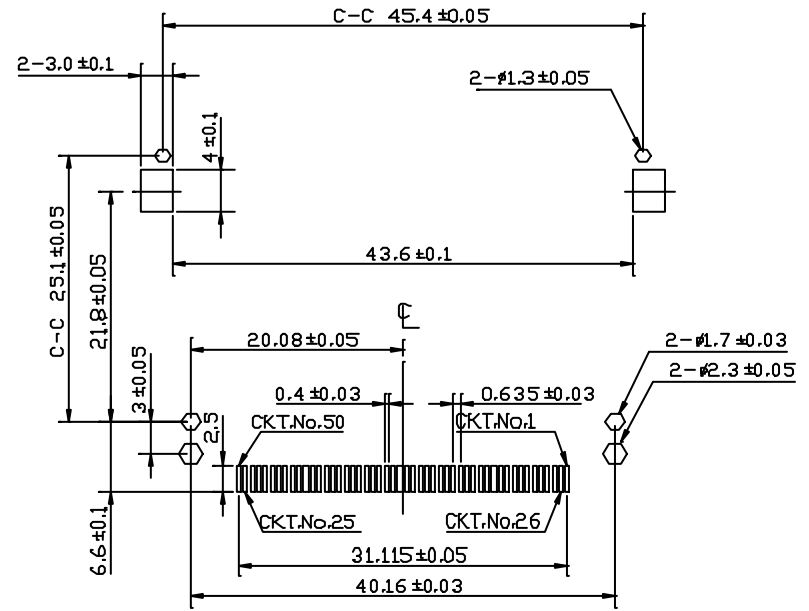
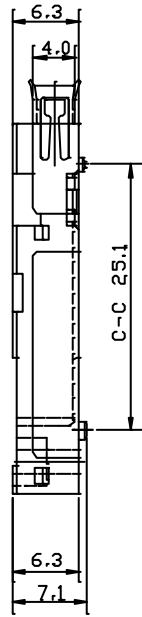


ORDER INFORMATION:

CFS1.27-	X	X	X	X
Header Type:	Stand Off:	Contact Plating:	Attachment:	
0:Type IA	9:Type IAR	0:0mm	1:Gold Flush	0:White W/O Nut
1:Type IAR	A:Type IIBO	1:1.64mm	2:5u" Gold Sel.	1:White W/ Nuts
2:Type IB	B:Type IIBR	2:2.20mm	3:10u" Gold Sel.	
3:Type IBR	C:Type IE	3:1.70mm	4:15u" Gold Sel.	
4:Type IC	D:Type IF			
5:Type ICR	E:Type IGO			
6:Type ID	F:Type IGOR			
7:Type IDR	G:Type IIBDRS			
8:Type IIA				

更改 REV	設變內容 MODIFICATION	日期 DATE	修改 DRAW



NOTES:  
 1.MATERIAL:  
 INSULATOR:GLASS REINFORCED LCP UL94V-0  
 CONTACT:BRASS ALLOY  
 MOUNT EAR:BRASS; TIN PLATED OVERALL  
 2.CONTACT PLATING:  
 CONTACT AREA:GOLD PLATING OVER 40u" NICKEL  
 SOLDER TAIL AREA:100u" TIN PLATING OVER 40u" NICKEL

DIMENSION IN mm [Inch]			
TOLERANCE UNLESS OTHERWISE SPECIFIED		名稱 CF Card Header	CUSTOMER DRAWING
.X±0.3	X:±0.3	案號 FILE NO. 60111020	圖號 DWG NO. CFS1.27-A020
.XX±0.20	.X±0.5	圖紙 SIZE A4	角法 PROJ. N.S.T.
.XXX±0.100	.XX±0.25	日期 DATE 02/18/00	更改 REV A