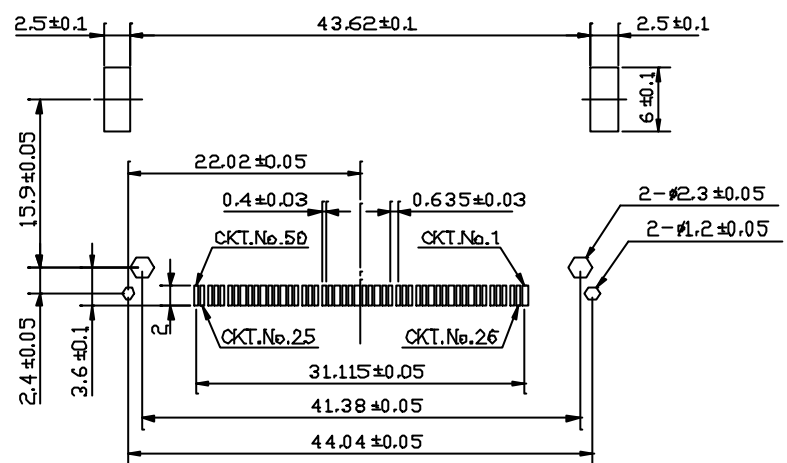
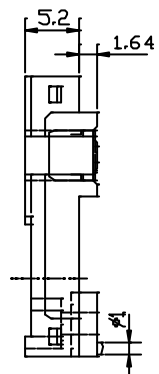
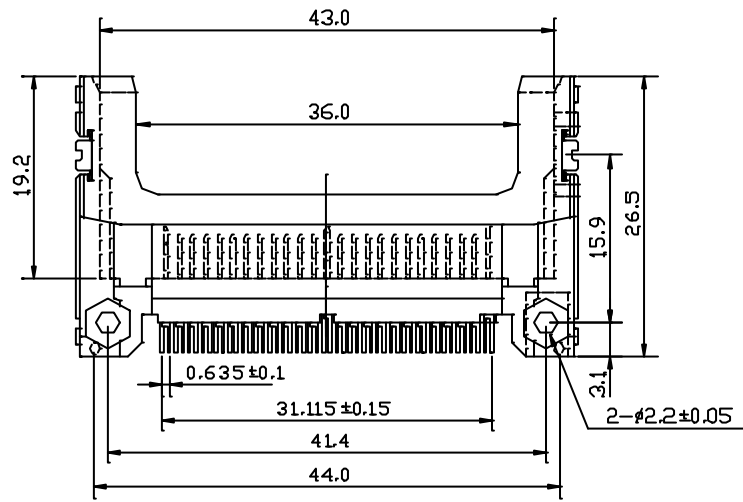
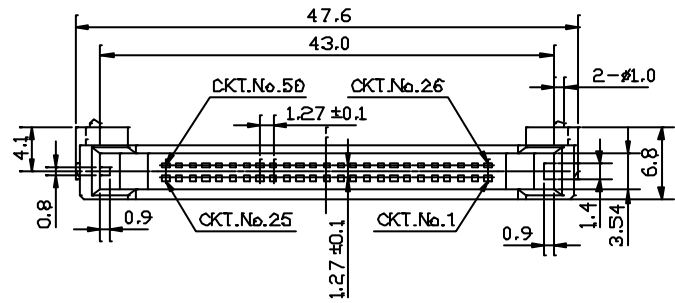
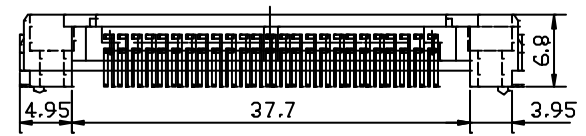


1 2 3 4 5 6 7 8

更改 REV	設 變 內 容 MODIFICATION	日 期 DATE	修 改 DRAW



RECOMMENDED P.C.B. LAYOUT



NOTES:
 1.MATERIAL:
 INSULATOR:GLASS REINFORCED LCP UL94V-0
 CONTACT:BRASS ALLOY
 MOUNT EAR:BRASS; TIN PLATED OVERALL
 2.CONTACT PLATING:
 CONTACT AREA:GOLD PLATING OVER 40u" NICKEL
 SOLDER TAIL AREA:100u" TIN PLATING OVER 40u" NICKEL

ORDER INFORMATION:

CFS1.27- X X X X
 Header Type: Stand Off: Contact Plating: Attachment:
 0:Type IA 0:0mm 1:Gold Flush 0:White W/O Nut
 1:Type IAR 1:1.64mm 2:5u" Gold Sel. 1:White W/ Nuts
 2:Type IB 3:10u" Gold Sel.
 3:Type IBR 4:15u" Gold Sel.
 8:Type IIA
 A:Type IIB

F
E
D
C
B
A

F
E
D
C
B
A

DIMENSION IN mm [Inch]			 康茂股份有限公司 COMMA ELECTRONIC INC.	
TOLERANCE UNLESS OTHERWISE SPECIFIED			名稱 TITLE	CUSTOMER DRAWING
.X±0.3	X:±3'	審核 APPROVE	CF Card Header SMT 50P Type I (A)	
.XX±0.20	.X±0.5'	核對 CHECK	案號 FILE NO. 60101120	圖號 DWG NO. CFS1.27-0120
.XXX±0.100	.XX±0.25'	製圖 DRAW	圖紙 SIZE A4	角法 PROJ.
			日期 DATE 01/28/99	更改 REV A
			比例 SCALE N.S.T.	

1 2 3 4 5 6 7 8