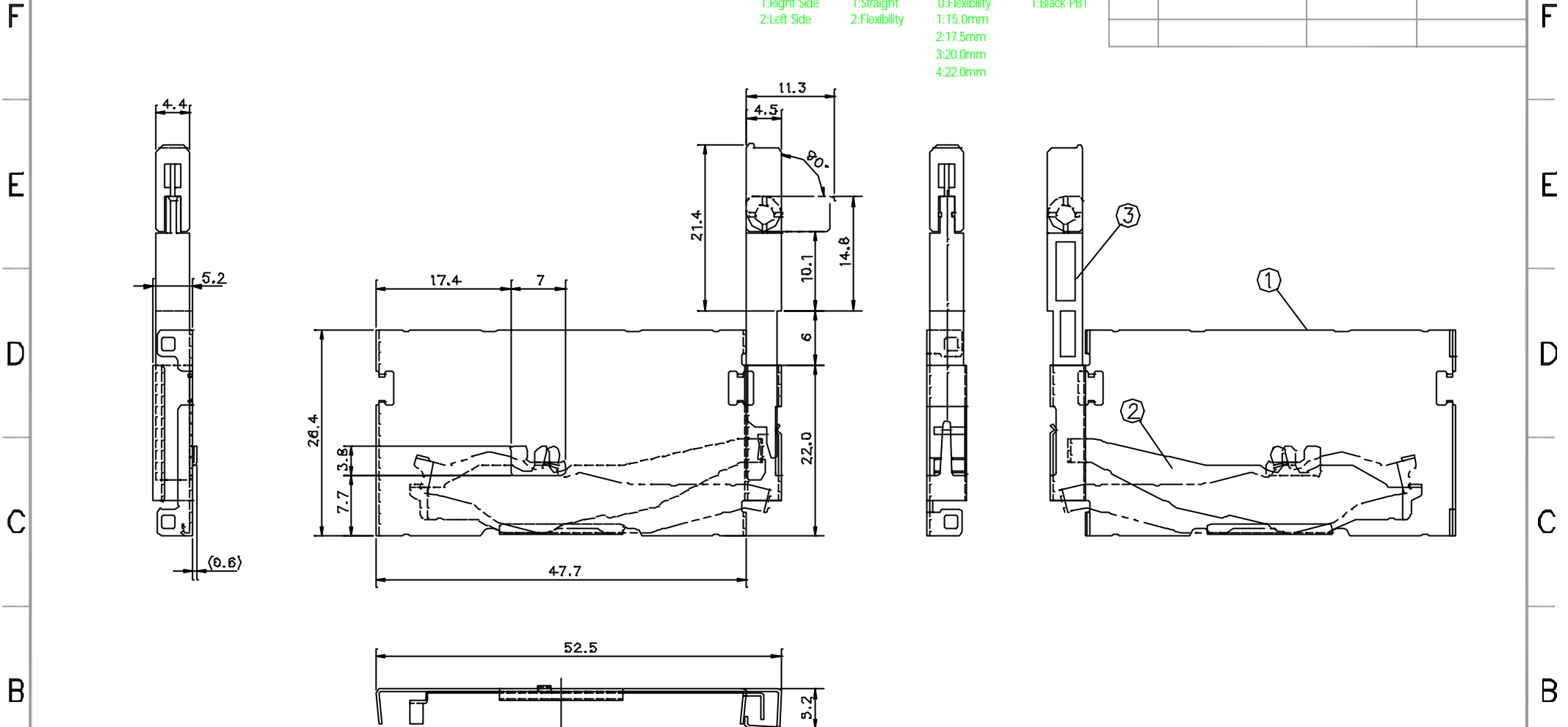


1 2 3 4 5 6 7 8

ORDER INFORMATION:

CFE1.27- X X X X
Eject Side: 1:Right Side 2:Left Side
Button Type: 1:Straight 2:Flexibility
Button Length: 0:Flexibility 1:15.0mm 2:17.5mm 3:20.0mm 4:22.0mm
Attachment: 1:Black PBT

| 更改 REV | 設 變 內 容 MODIFICATION | 日 期 DATE | 修 改 DRAW |
|-----------|-------------------------|-------------|-------------|
| | | | |
| | | | |



NOTES:
 1.MATERIAL:
 METAL SHELL:STAINLESS STEEL 0.3t
 LEVER:STAINLESS STEEL 0.3t
 BUTTON:BLACK PBT GLASS FIBER REINFORCED UL94V-0

| DIMENSION IN mm [Inch] | | | 康茂股份有限公司 COMMA ELECTRONIC INC. | 名稱 TITLE CF Card Connector Shell Ass'y (Left Side Ejector) | CUSTOMER DRAWING |
|--------------------------------------|-----------|----------------|--|---|---------------------|
| TOLERANCE UNLESS OTHERWISE SPECIFIED | | | | | |
| .X±0.3 | X:±3' | 審 核 APPROVE | 圖 紙 SIZE A4 | | |
| .XX±0.20 | .X±0.5' | 核 對 CHECK | 角 法 PROJ. 比 例 SCALE N.S.T. | | |
| .XXX±0.100 | .XX±0.25' | 製 圖 DRAW | 日 期 DATE 06/16/99 | | |
| | | | 更 改 REV A | | |

1 2 3 4 5 6 7 8