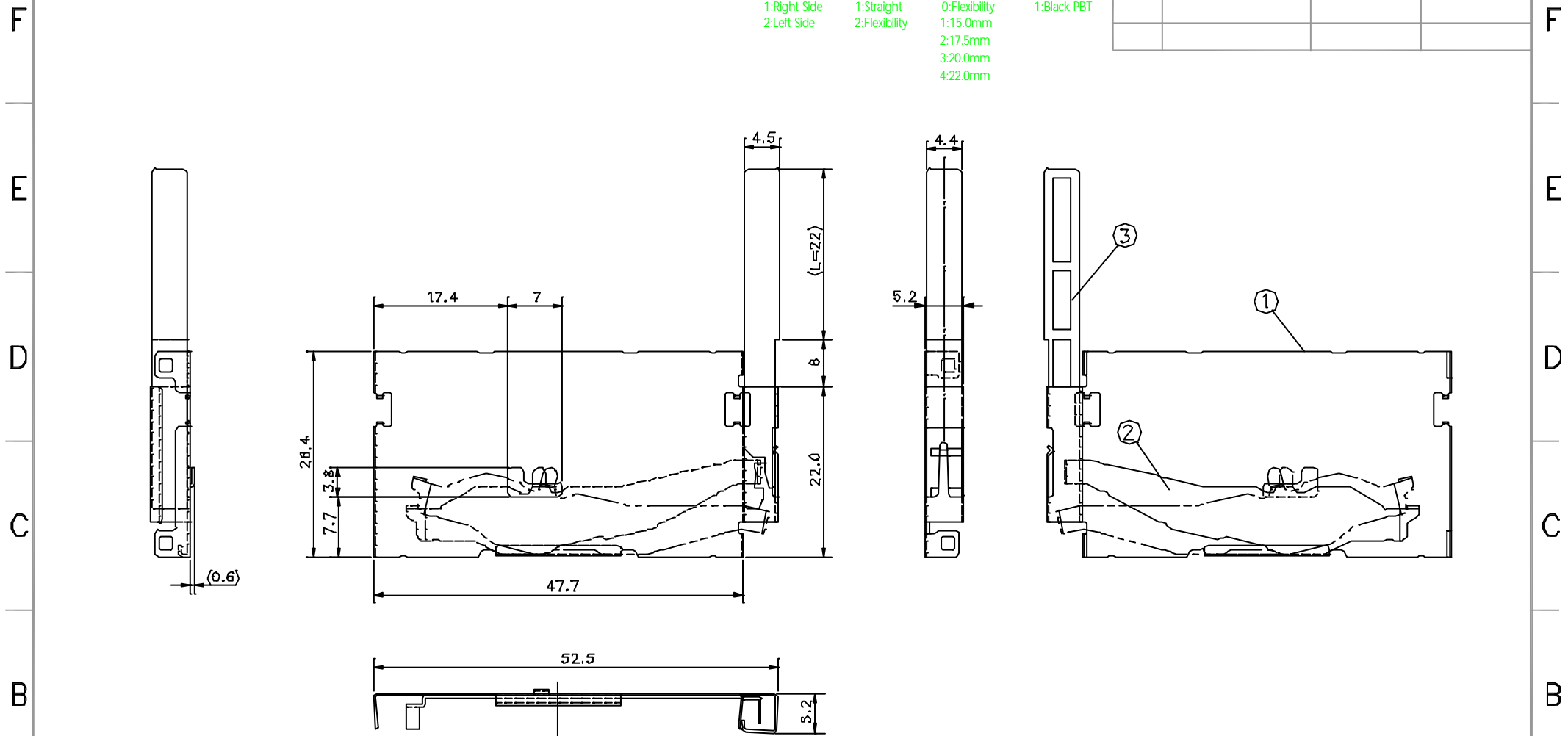


1 2 3 4 5 6 7 8

ORDER INFORMATION:

CFE1.27- X X X X
Eject Side: 1:Right Side 2:Left Side
Button Type: 1:Straight 2:Flexibility
Button Length: 0:Flexibility 1:15.0mm 2:17.5mm 3:20.0mm 4:22.0mm
Attachment: 1:Black PBT

更改 REV	設 變 內 容 MODIFICATION	日 期 DATE	修 改 DRAW



NOTES:
 1.MATERIAL:
 METAL SHELL:STAINLESS STEEL 0.3t
 LEVER:STAINLESS STEEL 0.3t
 BUTTON:BLACK PBT GLASS FIBER REINFORCED UL94V-0

DIMENSION IN mm [Inch]		康茂股份有限公司 COMMA ELECTRONIC INC	
TOLERANCE UNLESS OTHERWISE SPECIFIED		名稱 TITLE	CUSTOMER DRAWING
.X±0.3	X:±3'	CF Card Connector Shell Ass'y (Left Side Ejector)	
.XX±0.20	.X±0.5'	案 號 FILE NO. 60821041	圖 號 DWG NO. CFE1.27-2141
.XXX±0.100	.XX±0.25'	圖紙 SIZE A4	角法 PROJ.
		比例 SCALE N.S.T.	日期 DATE 03/12/01
			更改 REV A

1 2 3 4 5 6 7 8