

1 2 3 4 5 6 7 8

ORDER INFORMATION:

CFE1.27- X

X

X

X

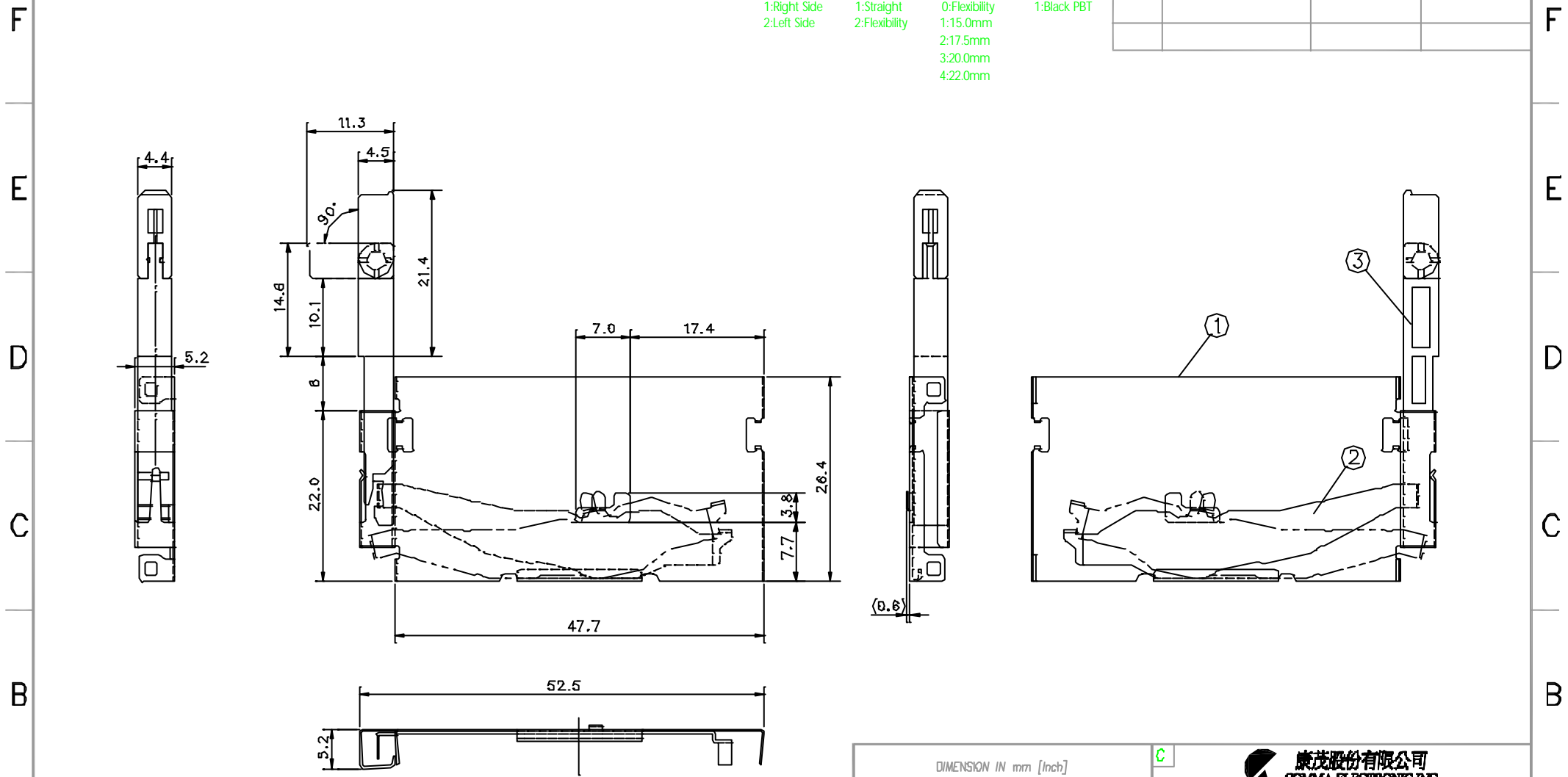
Eject Side:  
1:Right Side  
2:Left Side

Button Type:  
1:Straight  
2:Flexibility

Button Length:  
0:Flexibility  
1:15.0mm  
2:17.5mm  
3:20.0mm  
4:22.0mm

Attachment:  
1:Black PBT

更改 REV	設 變 內 容 MODIFICATION	日 期 DATE	修 改 DRAW



NOTES:  
1.MATERIAL:  
METAL SHELL:STAINLESS STEEL 0.3t  
LEVER:STAINLESS STEEL 0.3t  
BUTTON:BLACK PBT GLASS FIBER REINFORCED UL94V-0

DIMENSION IN mm [Inch]			 康茂股份有限公司 COMMA ELECTRONIC INC.	
TOLERANCE UNLESS OTHERWISE SPECIFIED			名稱 TITLE	CUSTOMER DRAWING
.X±0.3	X:±3'	審核 APPROVE	CF Card Connector Shell Ass'y (Right Side Ejector)	
.XX±0.20	.X±0.5'	核對 CHECK	案號 FILE NO. 60812001	圖號 DWG NO. CFE1.27-1201
.XXX±0.100	.XX±0.25'	製圖 DRAW	圖紙 SIZE A4	角法 PROJ.
			比例 SCALE N.S.T.	日期 DATE 06/16/99
				更改 REV A

1 2 3 4 5 6 7 8