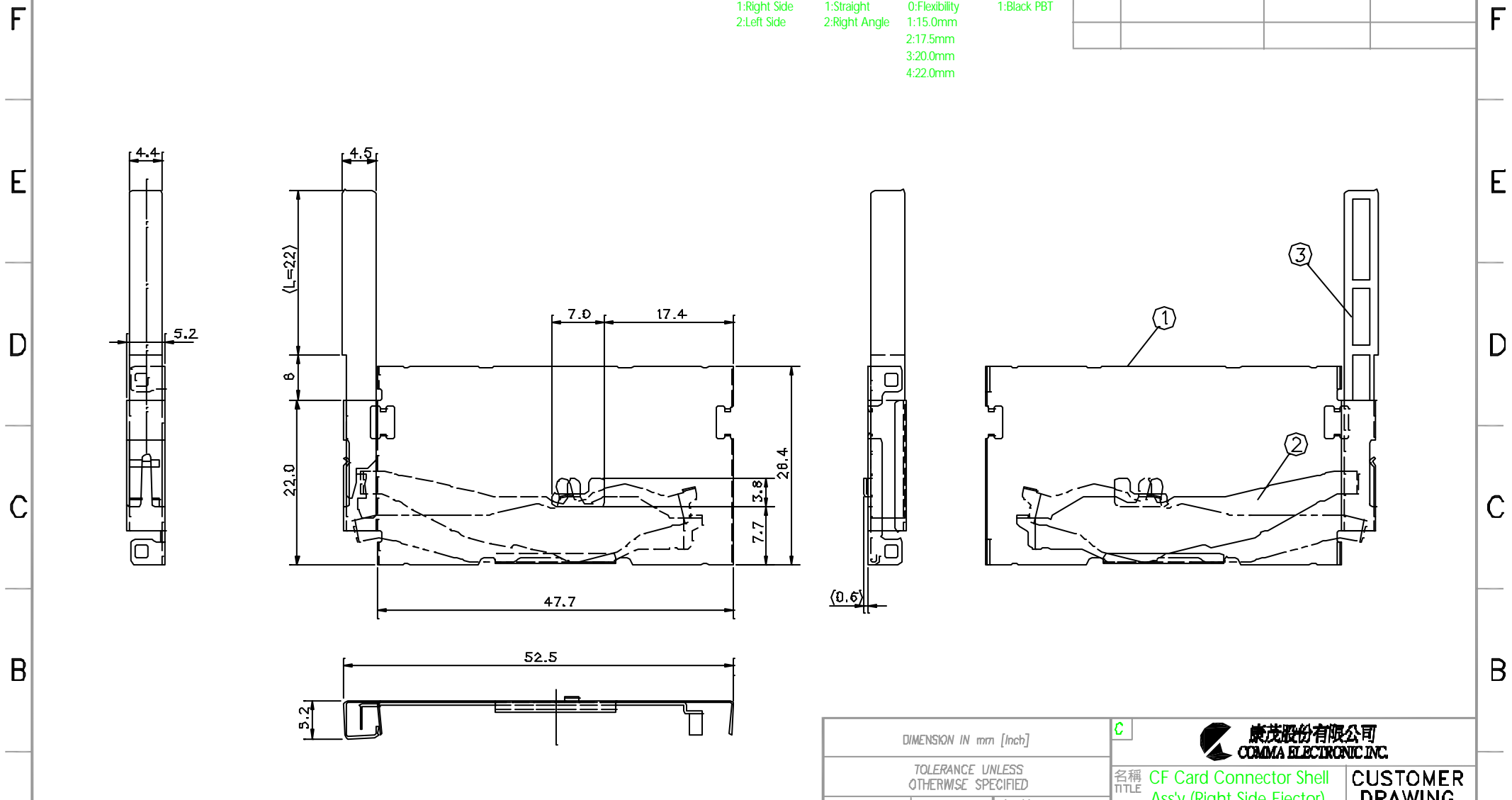


1 2 3 4 5 6 7 8

ORDER INFORMATION:

CFE1.27- X X X X
Eject Side: Button Type: Button Length: Attachment:
 1:Right Side 1:Straight 0:Flexibility 1:Black PBT
 2:Left Side 2:Right Angle 1:15.0mm 3:20.0mm
 2:17.5mm 4:22.0mm

| 更改 REV | 設 變 內 容 MODIFICATION | 日 期 DATE | 修 改 DRAW |
|-----------|-------------------------|-------------|-------------|
| | | | |
| | | | |



NOTES:
 1.MATERIAL:
 METAL SHELL:STAINLESS STEEL 0.3t
 LEVER:STAINLESS STEEL 0.3t
 BUTTON:BLACK PBT GLASS FIBER REINFORCED UL94V-0

| DIMENSION IN mm [Inch] | | C | | 康茂股份有限公司 COMMA ELECTRONIC INC. | |
|--------------------------------------|-----------|--|--|-----------------------------------|--|
| TOLERANCE UNLESS OTHERWISE SPECIFIED | | 名稱 TITLE | | CUSTOMER DRAWING | |
| .X±0.3 | X:±3' | CF Card Connector Shell Ass'y (Right Side Ejector) | | 案 號 FILE NO. 60811041 | |
| .XX±0.20 | .X±0.5' | 圖 號 DWG NO. CFE1.27-1141 | | 日期 DATE 05/18/99 | |
| .XXX±0.100 | .XX±0.25' | 圖紙 SIZE A4 | | 角法 PROJ. 日期 DATE 05/18/99 | |
| | | 比例 SCALE N.S.T. | | 更改 REV A | |

1 2 3 4 5 6 7 8