

1

2

3

4

5

6

7

8

ORDER INFORMATION:

CFE1.27- X

X

X

X

Eject Side:
1:Right Side
2:Left Side

Button Type:
1:Straight
2:Right Angle

Button Length:
0:Flexibility
1:15.0mm
2:17.5mm
3:20.0mm
4:22.0mm

Attachment:
1:Black PBT

更改 REV	設變內容 MODIFICATION	日期 DATE	修改 DRAW

F

E

D

C

B

A

F

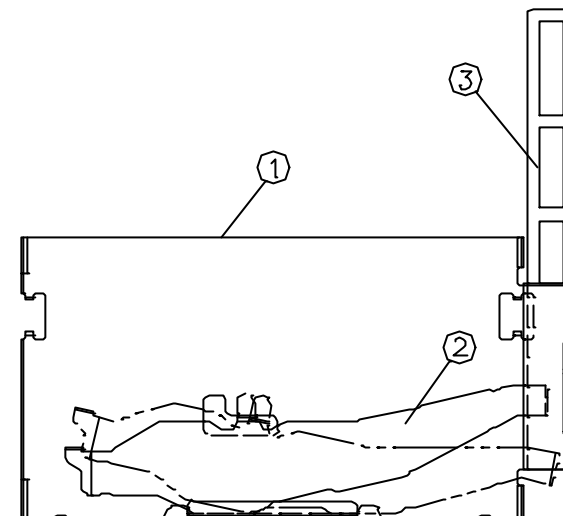
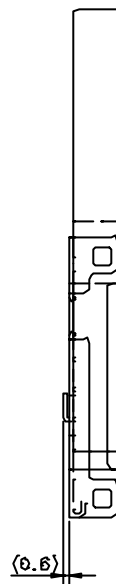
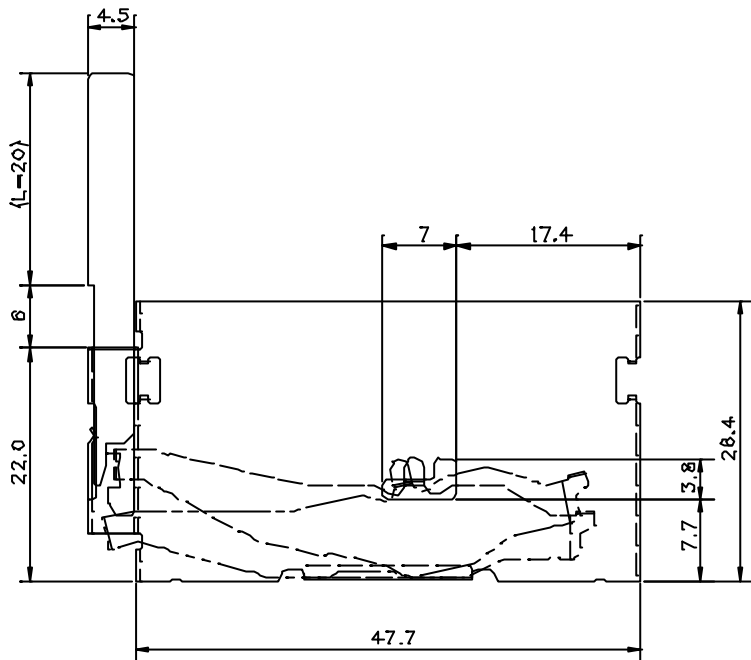
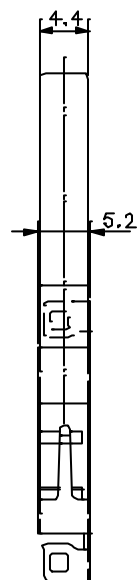
E

D

C

B

A



NOTES:
 1.MATERIAL:
 METAL SHELL:STAINLESS STEEL 0.3t
 LEVER:STAINLESS STEEL 0.3t
 BUTTON:BLACK PBT GLASS FIBER REINFORCED UL94V-0

DIMENSION IN mm [Inch]			 康茂股份有限公司 COMMA ELECTRONIC INC	
TOLERANCE UNLESS OTHERWISE SPECIFIED			名稱 TITLE	CUSTOMER DRAWING
.X±0.3	X:± 3'	審核 APPROVE	CF Card Connector Shell Ass'y (Right Side Ejector)	
.XX±0.20	.X± 0.5'	核對 CHECK	案號 FILE NO. 60811031	圖號 DWG NO. CFE1.27-1131
.XXX±0.100	.XX± 0.25'	製圖 DRAW	圖紙 SIZE A4	角法 PROJ.
			日期 DATE 05/18/99	更改 REV A
			比例 SCALE N.S.T.	

1

2

3

4

5

6

7

8