

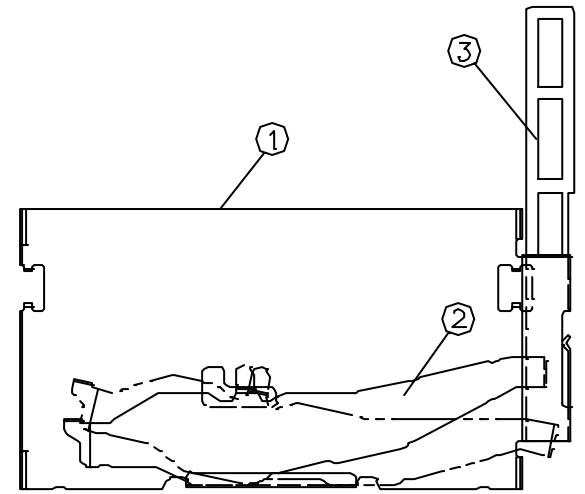
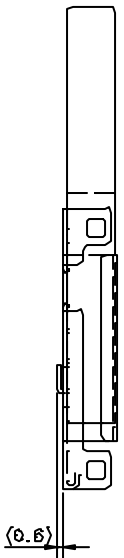
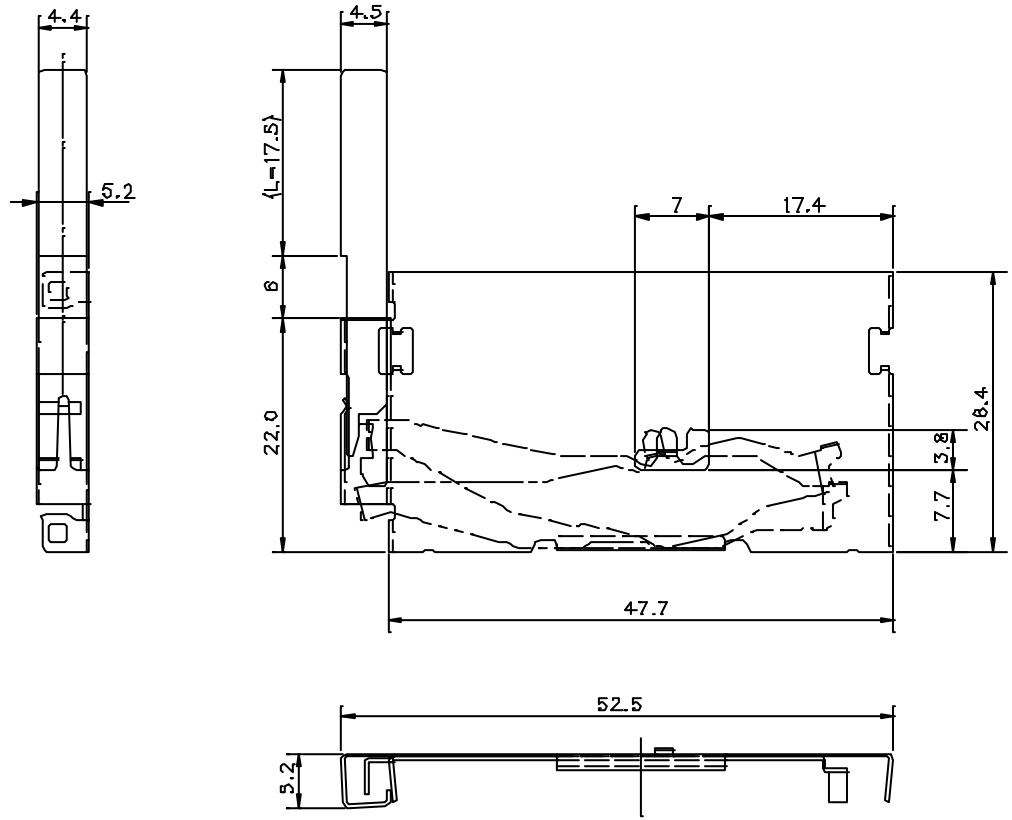
1 2 3 4 5 6 7 8

ORDER INFORMATION:

CFE1.27- X X X X
Eject Side: 1:Right Side 2:Left Side
Button Type: 1:Straight 2:Right Angle
Button Length: 0:Flexibility 1:15.0mm 2:17.5mm 3:20.0mm 4:22.0mm
Attachment: 1:Black PBT

更改 REV	設 變 內 容 MODIFICATION	日 期 DATE	修 改 DRAW

F
E
D
C
B
A



F
E
D
C
B
A

NOTES:
 1.MATERIAL:
 METAL SHELL:STAINLESS STEEL 0.3t
 LEVER:STAINLESS STEEL 0.3t
 BUTTON:BLACK PBT GLASS FIBER REINFORCED UL94V-0

DIMENSION IN mm [Inch]		
TOLERANCE UNLESS OTHERWISE SPECIFIED		
.X±0.3	X:± 3'	審核 APPROVE
.XX±0.20	.X± 0.5'	核對 CHECK
.XXX±0.100	.XX± 0.25'	製圖 DRAW

康茂股份有限公司
COMMA ELECTRONIC INC.

名稱 TITLE: CF Card Connector Shell Ass'y (Right Side Ejector) **CUSTOMER DRAWING**

案號 FILE NO. 60811021 圖號 DWG NO. CFE1.27-1121

圖紙 SIZE: A4 角法 PROJ. 日期 DATE: 05/18/99 比例 SCALE: N.S.T. 更改 REV: A

1 2 3 4 5 6 7 8