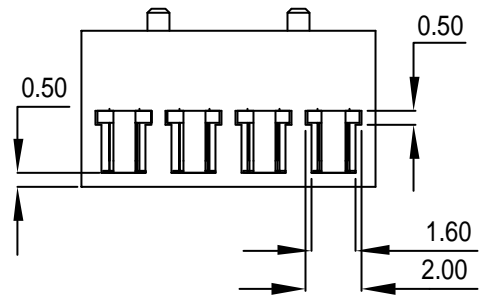
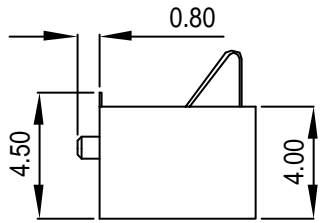
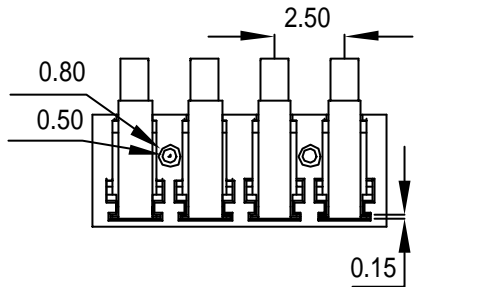
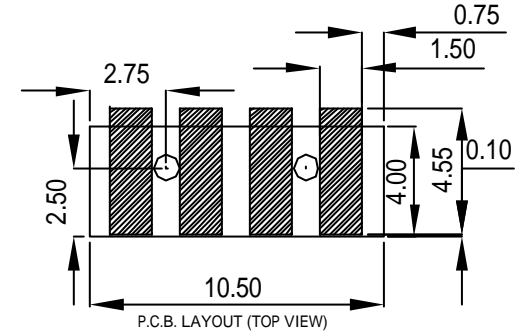
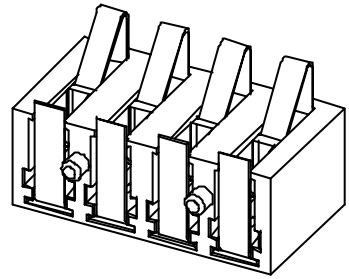
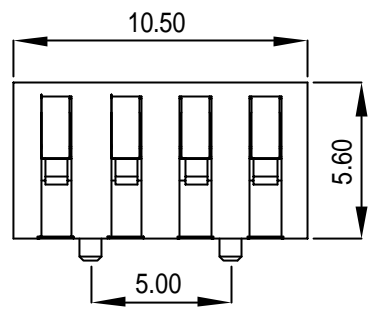


1 2 3 4 5 6 7 8

| 更改 REV | 設 變 內 容 MODIFICATION | 日 期 DATE | 修 改 DRAW |
|-----------|-------------------------|-------------|-------------|
| | | | |
| | | | |
| | | | |

F
E
D
C
B
A

F
E
D
C
B
A



SPECIFICATION

Insulator : LCP(Black)
 Contact : Beryllium Copper
 Plating : Selected 30 μ " gold over nickel

STANDARD DATA

Rating current : 1.0A
 Operating temperature : -30 ~ +70
 Storage temperature : -40 ~ +85

ELECTRICAL

Insulator resistance : 1000M ohms Min. @ 250 VDC
 Withstanding voltage : 250VAC / minute
 Contact resistance : 50 m ohms Max.

| | | | |
|--------------------------------------|-------------|-------------------------------|--------------------------------|
| DIMENSION IN mm [Inch] | | | |
| TOLERANCE UNLESS OTHERWISE SPECIFIED | | 名稱 TITLE BATTERY CONNECTOR | CUSTOMER DRAWING |
| .X±0.3 | X.'± 1' | 案 號 FILE NO. BCS2.50-3104 | 圖 號 DWG NO. BCS2.50-3104 |
| .XX±0.20 | .X'± 0.5' | 圖紙 SIZE A4 | 角法 PROJ. 張數 SHEET 1 / 1 |
| .XXX±0.100 | .XX'± 0.25' | 製 圖 DRAW | 比 例 SCALE 1:1 更 改 REV A |

1 2 3 4 5 6 7 8