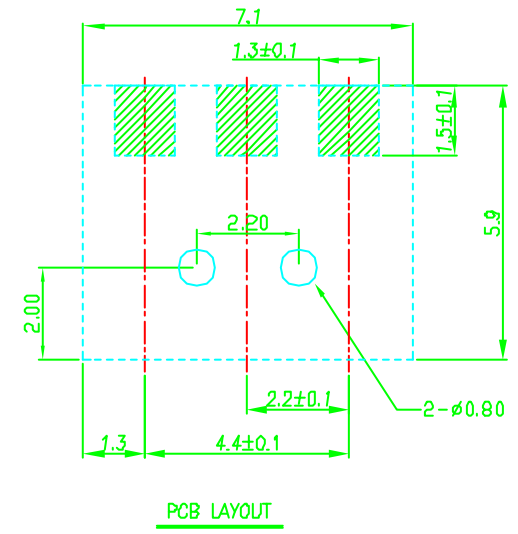
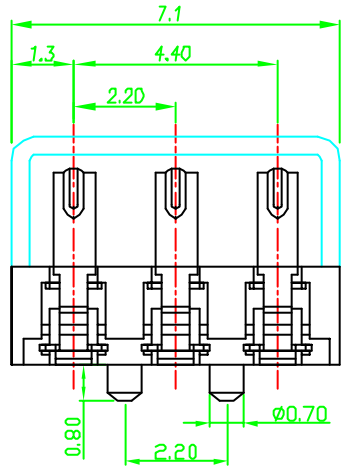
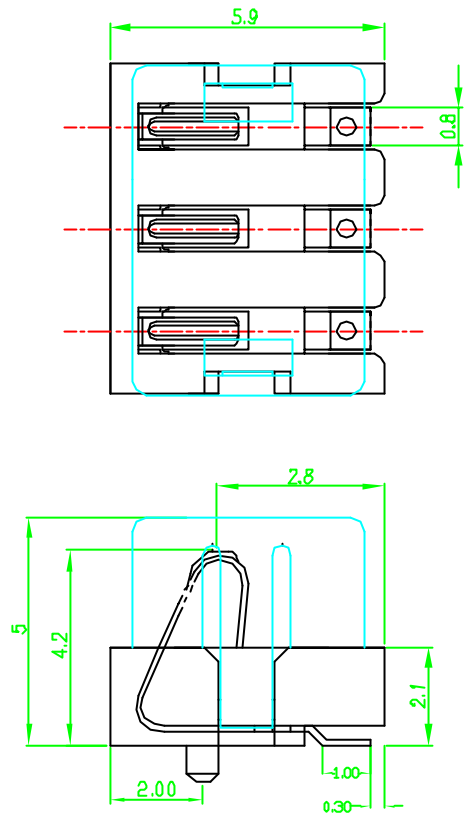


1 2 3 4 5 6 7 8

更改 REV	設變內容 MODIFICATION	日期 DATE	修改 DRAW



SPECIFICATIONS:

- Contact Current Rating: 1.5 Amperes.
- Dielectric Withstanding Voltage: 1000 VAC/1 Minute
- Contact Resistance: 20 Milliohms Maximum.
- Insulation Resistance: 1000 Megohms Minimum at 100V DC.
- Operating Temperature: -55° to +105°.
- Material:
 - Contact: Copper Alloy.
 - Cover Housing: Thermoplastic UL94V-0 Rated.
 - Bottom Housing: Thermoplastic UL94V-0 Rated.

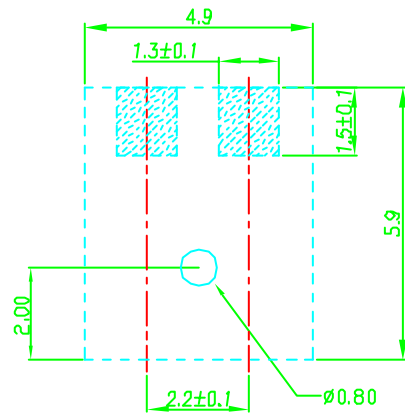
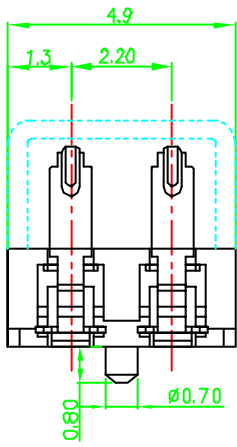
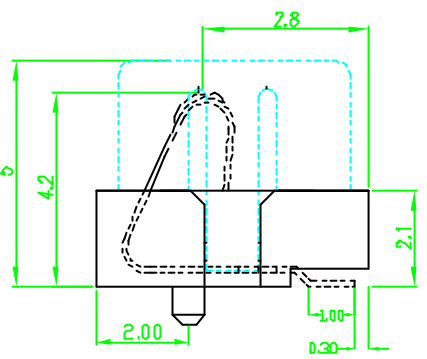
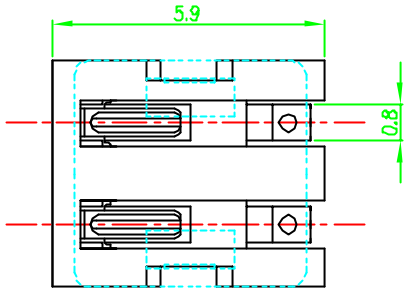
DIMENSION IN mm [Inch]			 康茂股份有限公司 COMMA ELECTRONIC INC.	
TOLERANCE UNLESS OTHERWISE SPECIFIED			名稱 TITLE	CUSTOMER DRAWING
.X±0.3	X'± 1'	審核 APPROVE	案號 FILE NO. BC2.20-13	圖號 DWG NO. BGS2.2-1103
.XX±0.20	.X'± 0.5'	核對 CHECK	圖紙 SIZE	角法 PROJ
.XXX±0.100	.XX'± 0.25'	製圖 DRAW	A4	張數 SHEET 1 / 1
			比例 SCALE 1:1	更改 REV B

1 2 3 4 5 6 7 8

1 2 3 4 5 6 7 8

更改 REV	設 變 內 容 MODIFICATION	日 期 DATE	修 改 DRAW

F
E
D
C
B
A



PCB LAYOUT

SPECIFICATIONS:

- Contact Current Rating: 1.5 Amperes.
- Dielectric Withstanding Voltage: 1000 VAC/1 Minute
- Contact Resistance: 20 Millohms Maximum.
- Insulation Resistance: 1000 Megohms Minimum at 100V DC.
- Operating Temperature: -55° to +105°.
- Material:
 - Contact: Copper Alloy.
 - Cover Housing: Thermoplastic UL94V-0 Rated.
 - Bottom Housing: Thermoplastic UL94V-0 Rated.

DIMENSION IN mm [Inch]		TOLERANCE UNLESS OTHERWISE SPECIFIED	
.X±0.3	X'±1'	審 核 APPROVE	
.XX±0.20	.X'±0.5'	核 對 CHECK	
.XXX±0.100	.XX'±0.25'	製 圖 DRAW	
名稱 TITLE: BATTERY CONNECTOR		案 號 FILE NO.: BCS2.2-1102	
圖紙 SIZE: A4		圖 號 DWG NO.: BCS2.2-1102	
角法 PROJ.:		張數 SHEET: 1 / 1	
比例 SCALE: 1:1		更改 REV: B	

1 2 3 4 5 6 7 8